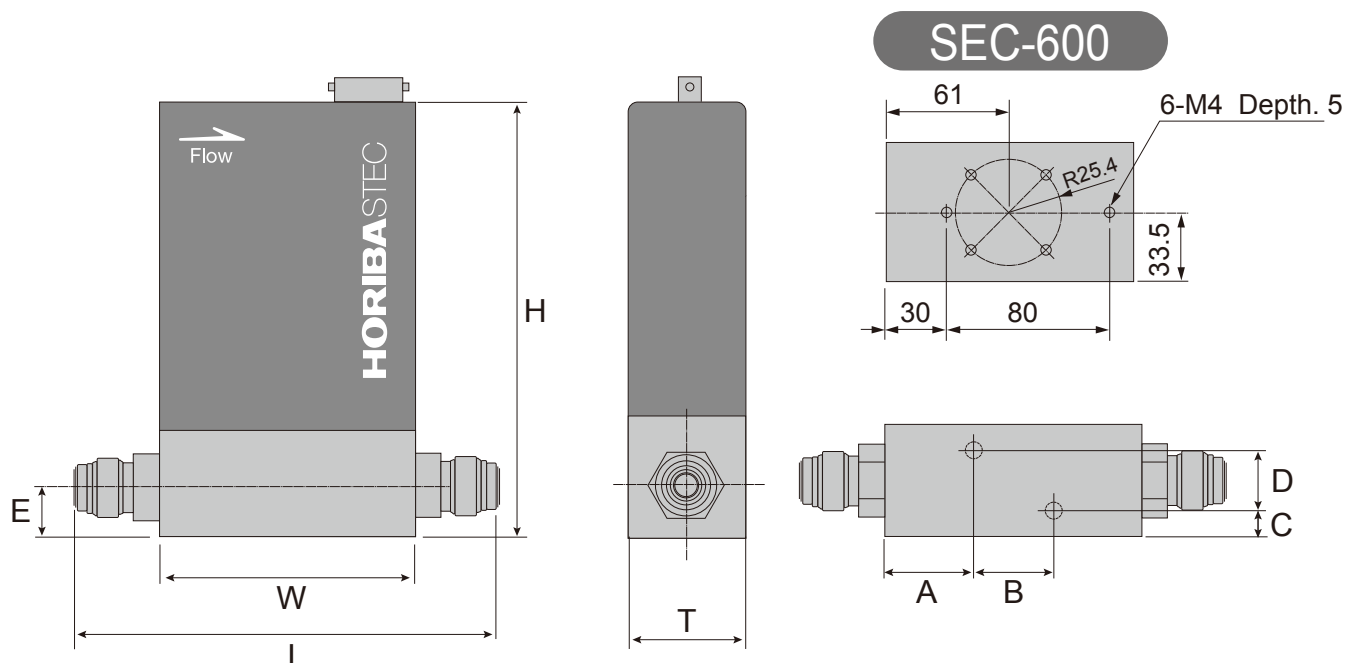


Dimensions of Mass Flow Controller SEC-400 Series



Model	H	T	W	I (1/4VCR)	I (1/4Swagelok)	I (3/8VCR)	I (3/8Swagelok)	A	B	C	D	E
SEC/SEF-310	80	20	60	106	110			20	20	10	—	10
SEC/SEF-320	80	20	60	106	110			20	20	10	—	10
SEC/SEF-400	115.5	25.5	76	124	127	131	131	3.5	69	3.5	18.5	12.7
SEC/SEF-500	125	32	108	156	160	163	163	9	90	3.7	24.6	IN14.6 OUT12
SEC/SEF-550	137	44	136	184	188	191	190	17.2	101.6	9.3	25.4	14.9
SEC/SEF-600	140	67	122	170	173	177	175	Refer			▶	20
SEC-400MK2·3	115.5	25.5	76	124	127		131	3.5	69	3.5	18.5	12.7
SEC-500MK2·3	125	32	108	156	160	163	163	9	90	3.7	24.6	IN14.6 OUT12

Unit: mm