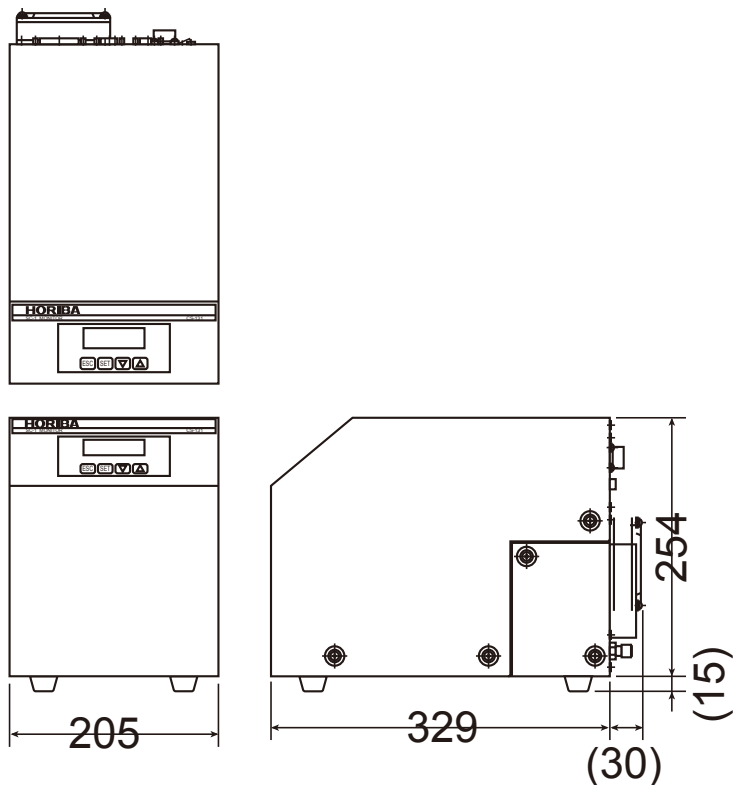
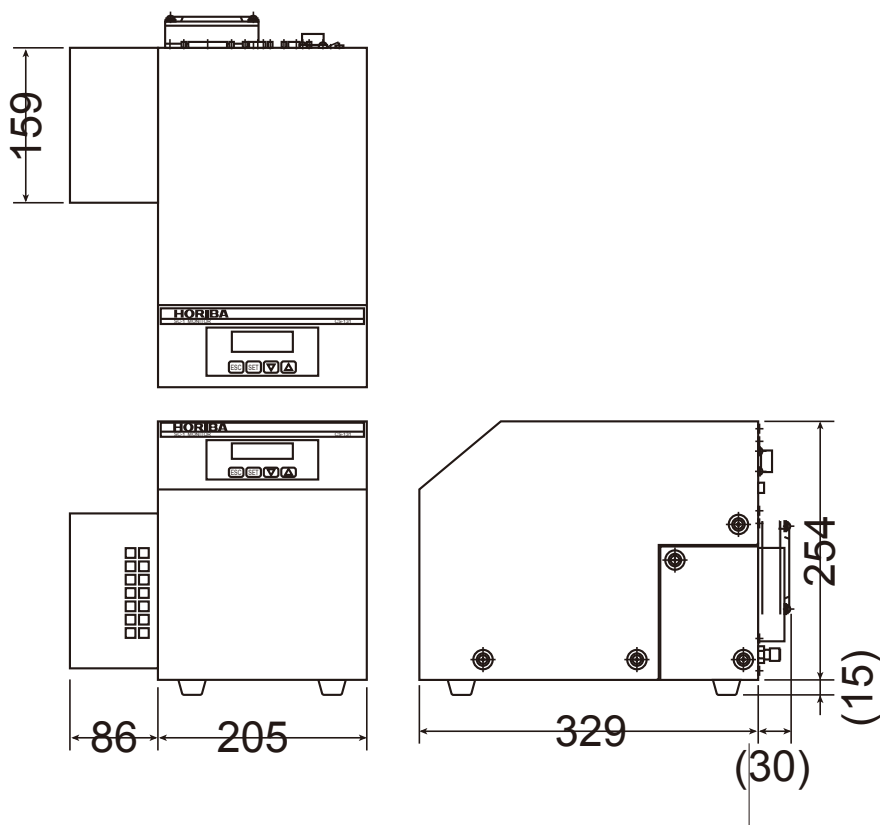


Dimensions of Stand-alone Type Chemical Concentration Monitor CS-100 Series



Cooling unit type



(Unit: mm)